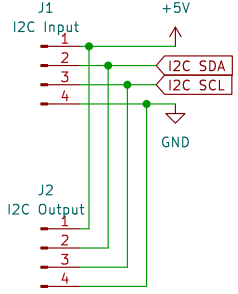
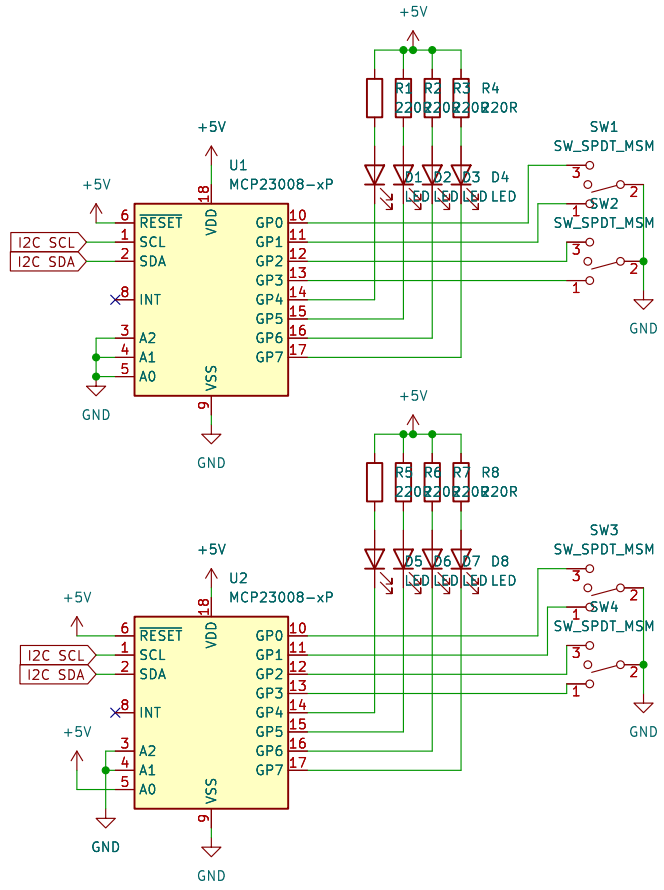
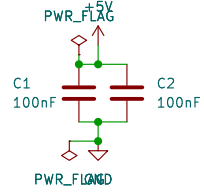


No I2C pull-ups  
These should be enabled  
on the upstream board



Output for connection to  
optional OLED screen

Place decoupling  
capacitors near to IC VDD



www.penguintutor.com/projects/modelrailwaypoints	
Sheet: /	
File: point-controller-switches.kicad_sch	
<b>Title: Point Control I2C Switch PCB</b>	
Size: A4	Date: April 2024
KiCad E.D.A. kicad 7.0.7+dfsg-1	Rev: 1.0
	Id: 1/1